

CREA
DECK



WWW.CREADECK.COM



Creadeck Floor Screens 4



Tables 16



Cassette Sofa 28



Creadeck Daybed 40



Creadeck Space Solution 48

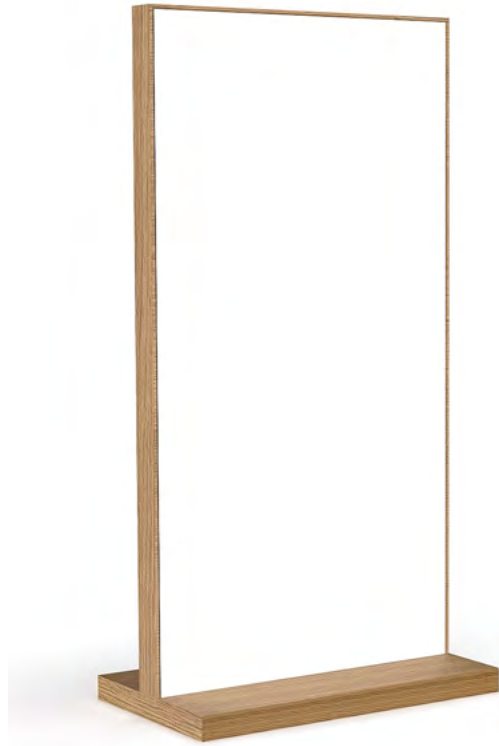


Creadeck Floor Screens

CREADECK floor screens divide spaces easily and elegantly. Thanks to the intelligent frame structure, the technology runs in the structure away from sight. Integrated wheels and a modular design allow the easy modification of the space during the day. CREADECK floor screens are based on a wooden frame combined with various materials and colors.



Floor Screens



WHITEBOARD FLOOR SCREEN

The Magnetic whiteboard floor screen come along with other floor screens or alone as a stylish movable whiteboard. The floor screens are equipped with castors, ensuring convenient mobility and effortless relocation.

* The front and back sides can be different, such as a whiteboard front and an upholstered back.



UPHOLSTERED FLOOR SCREEN

A pleasant acoustic environment combined with a warm feeling of wood can be created with an Upholstered CREADECK floor screen. The floor screens are equipped with castors, ensuring convenient mobility and effortless relocation.

* The front and back sides can be different, such as a veneer front and an upholstered back.

Floor Screens



SLATTED WOOD FLOOR SCREEN

Slatted Wood floor screen creates a feeling of space while keeping the interior airy and transparent. The floor screens are equipped with castors, ensuring convenient mobility and effortless relocation.



WOODEN FLOOR SCREEN

The wooden floor screen creates a warm atmosphere in the space. The floor screens are equipped with castors, ensuring convenient mobility and effortless relocation.

* The front and back sides can be different, such as a veneer front and an upholstered back.



Technical information

Frame Structure: Plywood

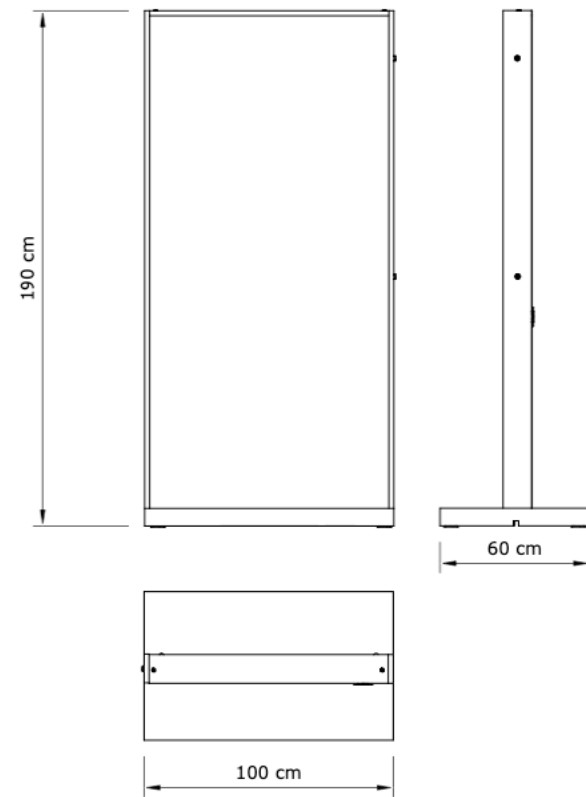
Frame & Base surfaces

Oak, as a standard wood material, and other wood materials are available for projects.

Height: 1900 mm

Depth: 600 mm

Width: 1000 mm



Coat Rack



Technical information

Frame Structure: Plywood

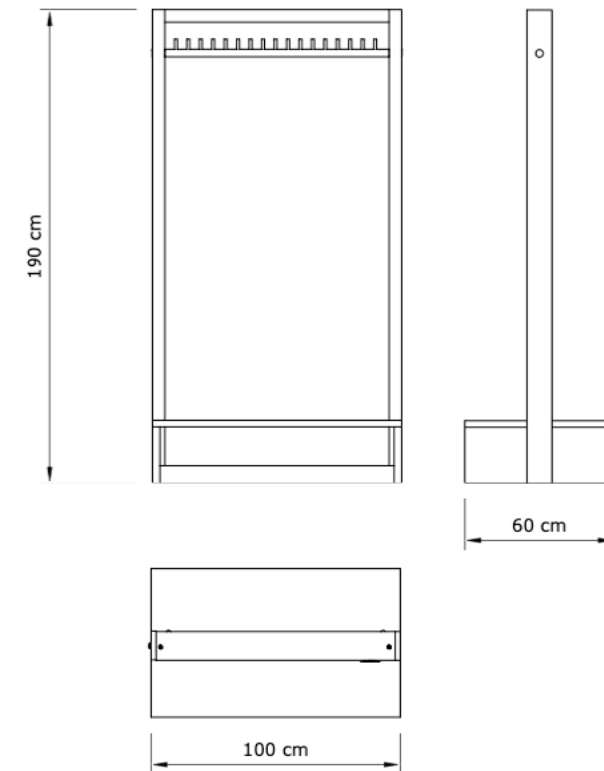
Frame & Base surfaces

Oak, as a standard wood material, and other wood materials are available for projects.

Height: 1900 mm

Depth: 600 mm

Width: 1000 mm



COAT RACK

The coat rack shares the same aesthetics as the Creadeck Floor Screens. It features a durable wooden frame with metal hooks, while the quartz stone surface ensures long-lasting quality and effortless maintenance. The Coat Rack is equipped with castors, ensuring convenient mobility and effortless relocation.



A408.1



Atelier Table

Atelier Table



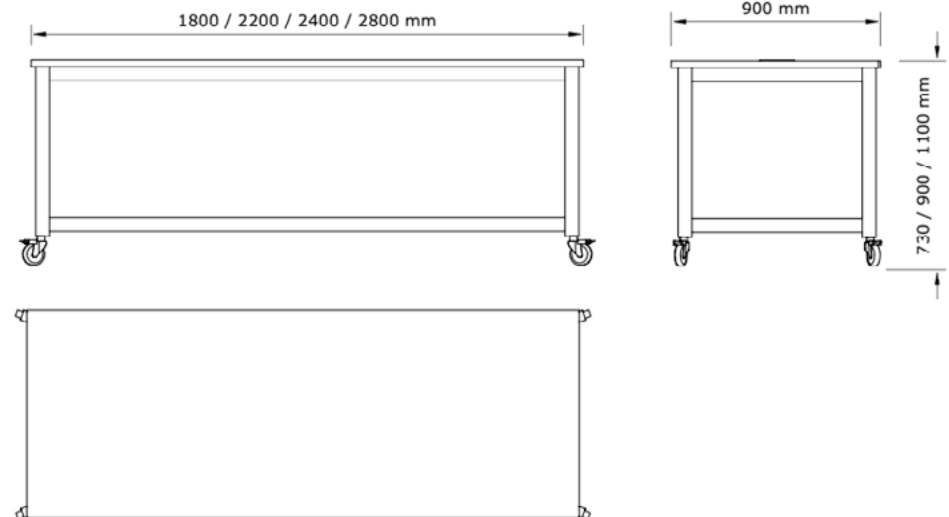
Technical information

Table Top: Veneer, laminate or massive wood
 Tople Top Sides: Massive Wood
 Frame: Massive Oak
 Castors: Industrial-grade lockable castors

Oak, as a standard wood material, and other wood materials are available for projects.

Height: 730, 900, 1100 mm
 Width: 900 mm
 Length: 1800, 2200, 2400, 2800 mm

Accessories:
 Power Outlet
 Also available without castors
 Custom sizes available.
 Custom materials available



Atelier Table

The Atelier is a versatile wooden table that complements various settings, drawing inspiration from robust workshop tables. Its industrial-grade lockable Castors facilitate effortless mobility. Also available without castors.

Atelier Table assesories



Technical Information

Screens

Materials

Veneered plywood
Magnetic laminate
Felt
Reeded glass

Dimensions

Height: 320 mm
Width: 600, 800, 1000, 1200 mm

Custom sizes available
Custom materials available

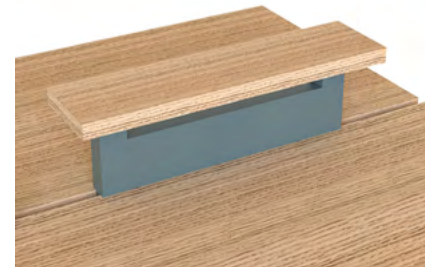
Shelf

Oak wood shelf
Available with LED light

Dimensions

Height: 180 mm
Width: 600 mm

Custom sizes available
Custom materials available



Screens



Veneered



Magnetic laminate



Felt



Reeded glass

Atelier Table accessories

The Atelier table is also available with dual tabletops, allowing for the attachment of various accessories between them—ranging from privacy screens to shelves with integrated LED lighting. With two tabletops, it's possible to configure tables up to 160 cm wide.

Academia Table



Academia Table

The Academia table combines minimalist design with quality craftsmanship. Its industrial-grade lockable castors allow easy mobility, while a non-castor option offers a stable setup for any setting.

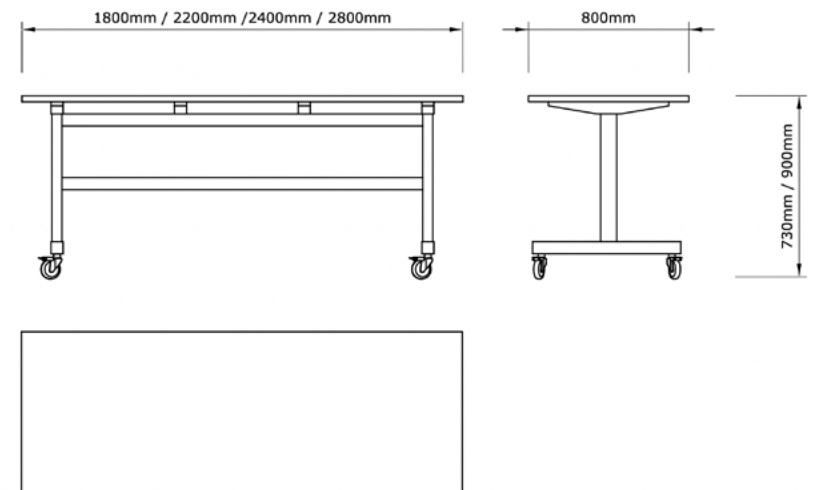
Technical information

Table Top: Veneer, laminate or massive wood
 Tople Top Sides: Massive Wood
 Frame: Massive Oak
 Castors: Industrial-grade lockable castors

Oak, as a standard wood material, and other wood materials are available for projects.

Height: 730, 900, 1100 mm
 Width: 800 mm
 Length: 1800, 2200, 2400, 2800 mm

Accessories:
 Power Outlet
 Also available without castors
 Custom sizes available.
 Custom materials available



Academia Flip Top Table



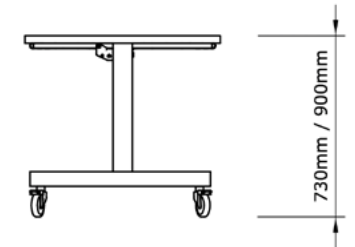
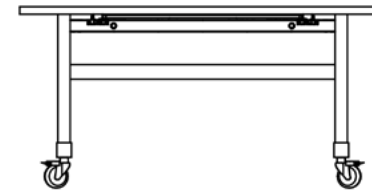
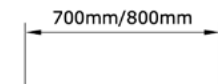
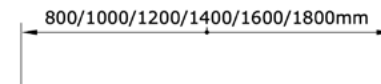
Technical information

Table Top: Veneer, laminate or massive wood
 Tople Top Sides: Massive Wood
 Frame: Massive Oak, Folding mechanism steel
 Castors: Industrial-grade lockable castors

Oak, as a standard wood material, and other wood materials are available for projects.

Height: 730, 900mm
 Width: 700mm, 800 mm
 Length: 800, 1000, 1200, 1400, 1600, 1800mm

Custom sizes available.
 Custom materials available



Academia Flip Top Table

Academia Flip Top Table combines functional design with space-saving innovation. Its industrial-grade lockable castors provide smooth mobility, and the flip-up desktop allows for easy storage. Perfect for transforming spaces, it adapts effortlessly to meetings, training sessions, or collaborative setups.

Academia Desk



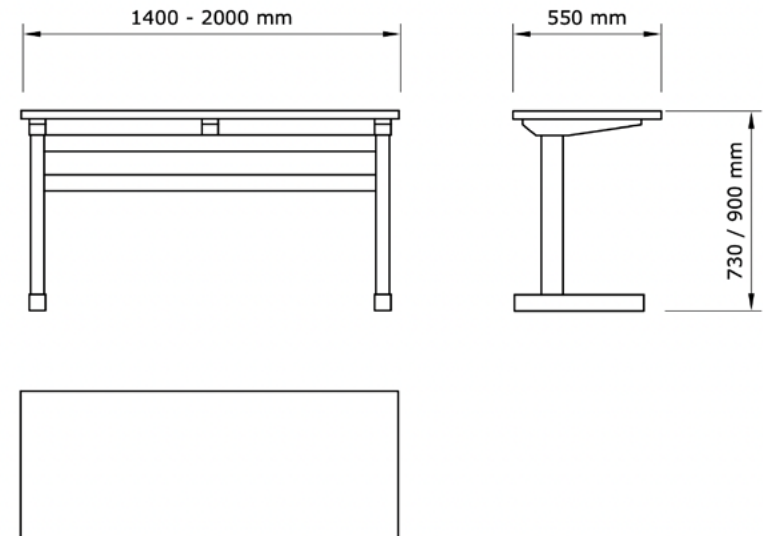
Technical information

Table Top: Veneer, laminate or massive wood
 Top Left Sides: Massive Wood
 Frame: Massive Oak

Oak, as a standard wood material, and other wood materials are available for projects.

Height: 730, 900 mm
 Width: 550 mm
 Length: 1400, 1800, 2000 mm

Accessories:
 Power Outlet
 Custom sizes available.
 Custom materials available



Academia Desk

The Academia desk is a versatile choice for lecture rooms and collaborative environments. Its sturdy wooden structure adds warmth and makes it approachable, offering both durability and style for any setting.



Casette Sofa

Cassette Sofa - Low

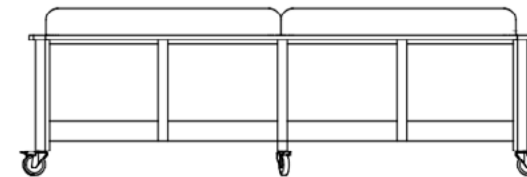
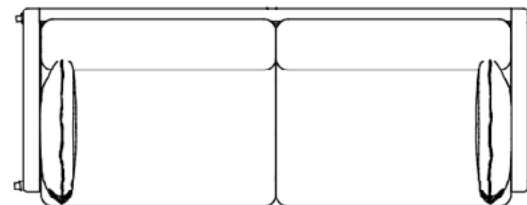
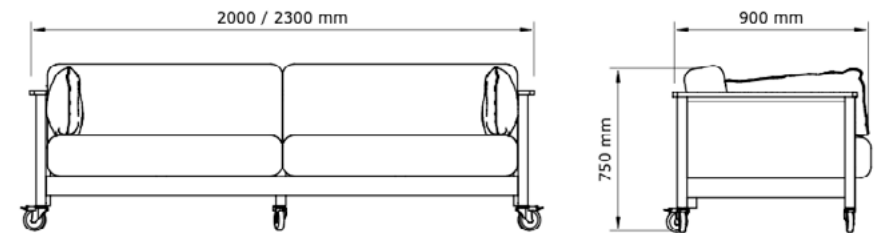
Technical information

Frame: Massive Oak
 Side panels: Upholstered or Veneered
 Seat: Upholstered

Height: 750 mm
 Depth: 900 mm
 Width: 2300 mm three seater, 2000 mm two seater

Accessories:
 Power Outlet
 Also available without castors

Oak, as a standard wood material, and other wood materials are available for projects.



Cassette Sofa - Low
 Upholstered Side Panels
 Veneered Side Panels

The Cassette sofa, characterised by its wooden frame, showcases exceptional versatility, making it well-suited for diverse settings. Lockable wheels enhances its functionality by providing effortless mobility and seamless relocation options. The sofa's side panels offer customisable options to suit individual preferences. They can be tailored according to specific requirements, with choices available for veneered or upholstered finishes.

Casette Sofa - High



Casette Sofa, High
Upholstered Side Panels
Veneered Side Panels

The Casette sofa system features a unique design where a high sofa is built on top of a low sofa, providing versatility and flexibility. The high backrest can be seamlessly combined with any low Casette sofa, allowing for customizable configurations. To ensure ease of mobility, the sofa is equipped with lockable wheels designed for industrial use. The high top of the sofa is available in various finishes, including upholstered, veneered, glass, and metal mesh options, offering a wide range of aesthetic choices.

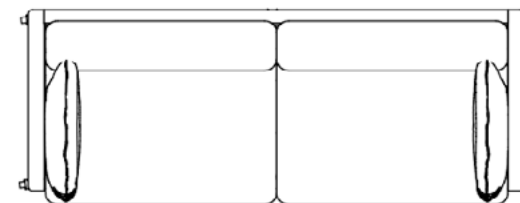
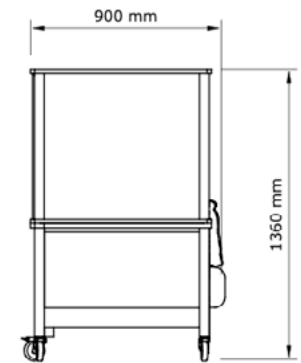
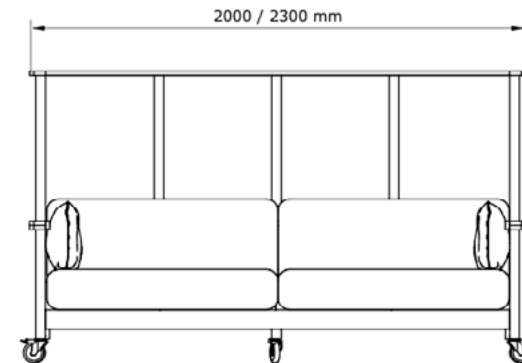
Technical information

Frame: Massive Oak
Bottom part, side panels: Upholstered or Veneered
Top part, inner side panels: Upholstered or Veneered
Seat: Upholstered

Height: 1360 mm
Depth: 900 mm
Width: 2300 mm three seater, 2000 mm two seater

Accessories:
Power Outlet
Also available without castors

Oak, as a standard wood material, and other wood materials are available for projects.



Cassette Sofa - High

Technical information

Frame: Massive Oak
 Bottom part, side panels: Upholstered
 Top part: Slatted
 Seat: Upholstered

Height: 1360 mm
 Depth: 900 mm
 Width: 2300 mm three seater, 2000 mm two seater

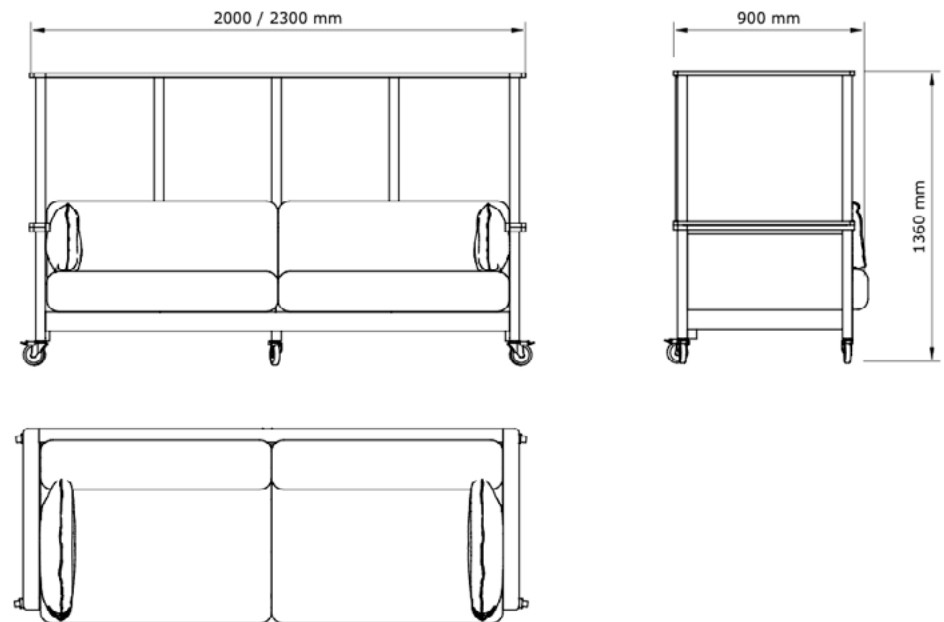
Accessories:
 Power Outlet
 Also available without castors

Oak, as a standard wood material, and other wood materials are available for projects.



Cassette Sofa, High Slatted

The Cassette sofa system features a unique design where a high sofa is built on top of a low sofa, providing versatility and flexibility. The high backrest can be seamlessly combined with any low Cassette sofa, allowing for customizable configurations. To ensure ease of mobility, the sofa is equipped with lockable wheels designed for industrial use. The high top of the sofa is available in various finishes, including upholstered, veneered, glass, and metal mesh options, offering a wide range of aesthetic choices.



Cassette Sofa - High

Technical information

Frame: Massive Oak
 Bottom part, side panels: Veneer
 Top part: Reeded Glass

Height: 1360 mm
 Depth: 900 mm
 Width: 2300 mm three seater, 2000 mm two seater

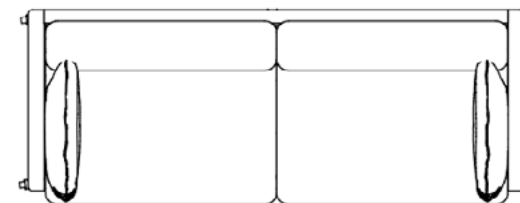
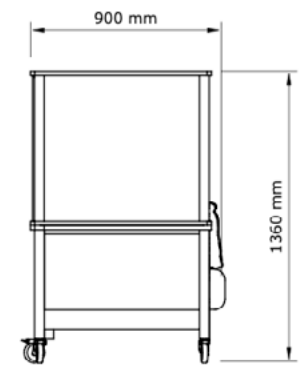
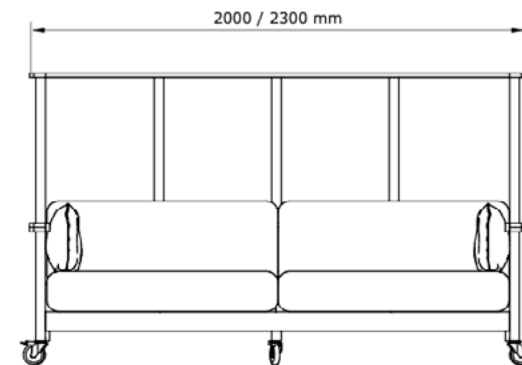
Accessories:
 Power Outlet
 Also available without castors

Oak, as a standard wood material, and other wood materials are available for projects.



Cassette Sofa, High Reeded Glass

The Cassette sofa system features a unique design where a high sofa is built on top of a low sofa, providing versatility and flexibility. The high backrest can be seamlessly combined with any low Cassette sofa, allowing for customizable configurations. To ensure ease of mobility, the sofa is equipped with lockable wheels designed for industrial use. The high top of the sofa is available in various finishes, including upholstered, veneered, glass, and metal mesh options, offering a wide range of aesthetic choices.



Casette Sofa - High

Technical information

Frame: Massive Oak
 Bottom part, side panels: Veneer
 Top part: Metal Mesh

Height: 1360 mm
 Depth: 900 mm
 Width: 2300 mm three seater, 2000 mm two seater

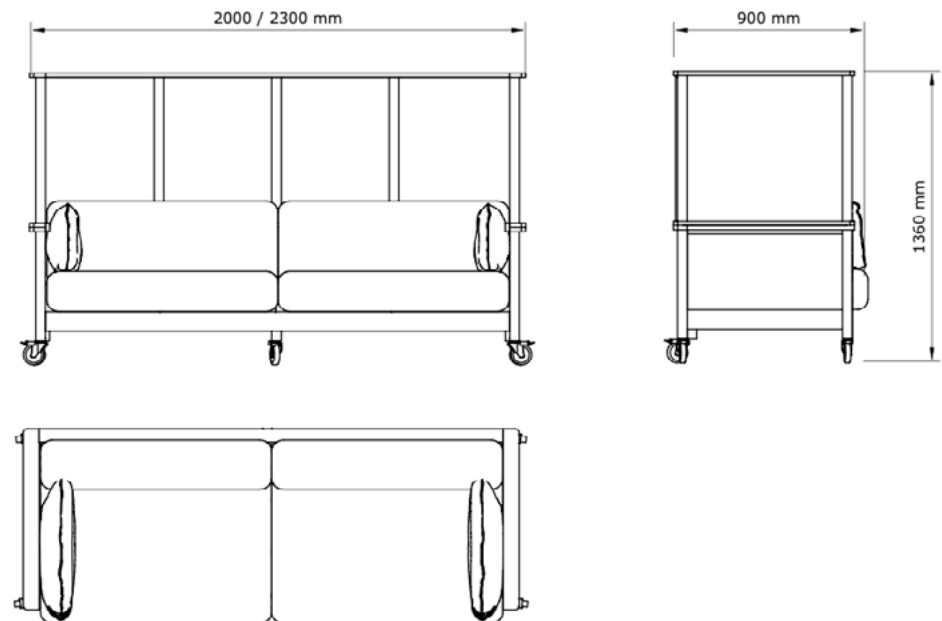
Accessories:
 Power Outlet
 Also available without castors

Oak, as a standard wood material, and other wood materials are available for projects.



Casette Sofa, High Metal Mesh

The Casette sofa system features a unique design where a high sofa is built on top of a low sofa, providing versatility and flexibility. The high backrest can be seamlessly combined with any low Casette sofa, allowing for customizable configurations. To ensure ease of mobility, the sofa is equipped with lockable wheels designed for industrial use. The high top of the sofa is available in various finishes, including upholstered, veneered, glass, and metal mesh options, offering a wide range of aesthetic choices.



Daybed

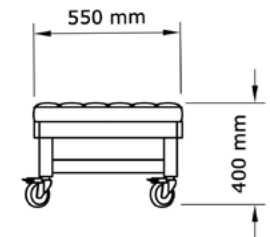
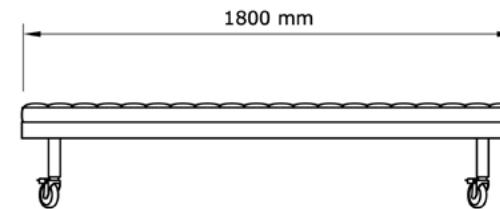
Technical information

Frame: Oak
Seat: Upholstered

Height: 400 mm
Depth: 550 mm
Width: 1800mm

Available with & without castors

Oak, as a standard wood material, and other wood materials are available for projects.



Daybed

The Creadeck daybed is a versatile piece of furniture that works well in many environments. Lockable wheels enhance its functionality by providing effortless mobility and seamless relocation options. The daybed also transforms into a sofa when the backrest is attached. There are multiple backrest and upholstery options available for different needs.

Daybed

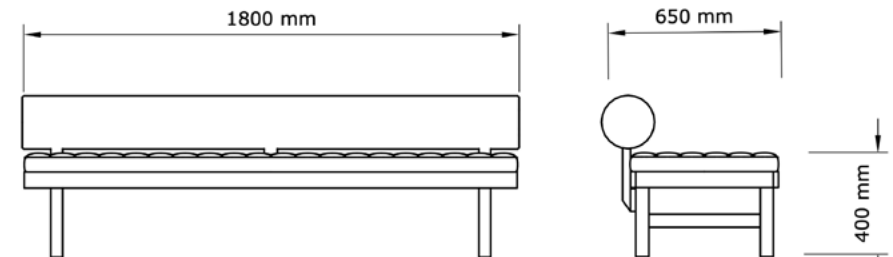
Technical information

Frame: Oak
Seat: Upholstered

Height: 400 mm
Depth: 550 mm
Width: 1800mm

Available with & without castors

Oak, as a standard wood material, and other wood materials are available for projects.



Daybed - Pipe backrest

The Creadeck daybed is a versatile piece of furniture that works well in many environments. Lockable wheels enhance its functionality by providing effortless mobility and seamless relocation options. The daybed also transforms into a sofa when the backrest is attached. There are multiple backrest and upholstery options available for different needs.

Daybed

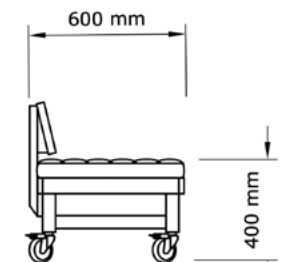
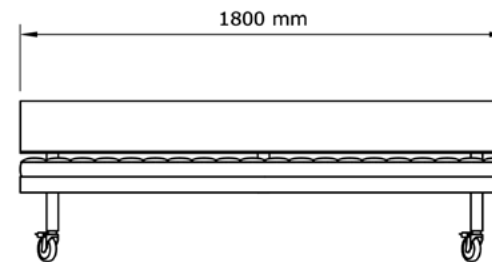
Technical information

Frame: Oak
Seat: Upholstered

Height: 400 mm
Depth: 550 mm
Width: 1800mm

Available with & without castors

Oak, as a standard wood material, and other wood materials are available for projects.



Daybed - Wooden backrest

The Creadeck daybed is a versatile piece of furniture that works well in many environments. Lockable wheels enhance its functionality by providing effortless mobility and seamless relocation options. The daybed also transforms into a sofa when the backrest is attached. There are multiple backrest and upholstery options available for different needs.

Daybed

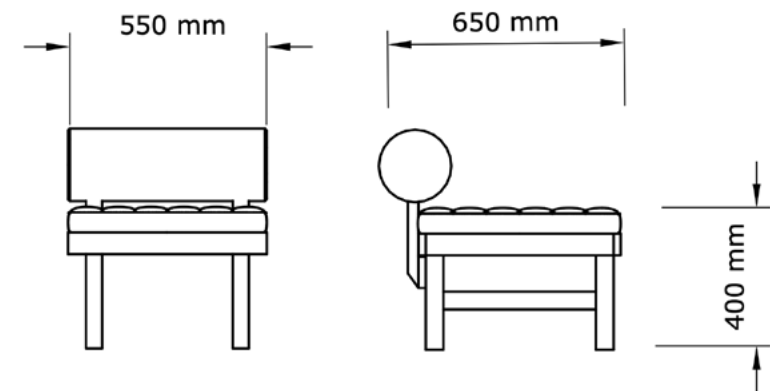
Technical information

Frame: Oak
Seat: Upholstered

Height: 400 mm
Depth: 650 mm
Width: 550 mm

Available with & without castors

Oak, as a standard wood material, and other wood materials are available for projects.



Daybed - Chair

The chair version of the versatile daybed also works well in many environments. Lockable wheels enhance its functionality by providing effortless mobility and seamless relocation options. Additionally, the chair is available both with and without a backrest, with multiple backrest and upholstery options available to suit different needs.

CREADECK - A Modular and Flexible Space Solution

The CREADECK space solution can be used to build different types of convertible spaces using an intelligent floor and frame structure. The CREADECK space remains tidy with the help of floor-mounted furniture and integrated electricity cables and technology running within the frame structures and under the floor. Its modular design allows for easy modification and updating of the space. The CREADECK space solution enables the implementation of flexible spaces in a cost-effective manner.





FRAME

CREADECK FRAME consists of a smart floor, a frame structure, and integrated furniture. The frame structure allows for the use of different wall elements to divide the space. Electricity can be transmitted to the furniture via the pillar structure and a smart floor. CREADECK furniture can be locked in place on the floor to maintain the interior design concept in the space.



OASIS

CREADECK OASIS consists of a smart floor and furniture that can be integrated into it. The electrical wiring of the CREADECK furniture can be installed to be invisible under the CREADECK floor. CREADECK furniture can be locked in place on the floor to maintain order in the room.



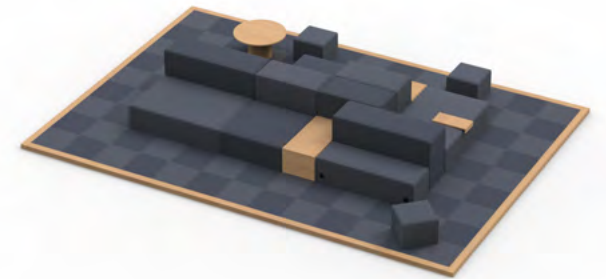
STRUCTURE

The CREADECK FRAME has a modular wooden frame and a raised floor covered with a textile mat. Electrical wiring and technology can be transported in the frame and under the floor to the desired location.



FURNITURE

The CREADECK space can be furnished with standard furniture as well as CREADECK furniture which can be locked on the CREADECK-floor. Integrated power outlets in CREADECK furniture bring the electricity and AV technology easily to the reach of the user. CREADECK-furniture



WALL ELEMENTS

Different spaces and atmospheres can be created with the wall elements attached to the frame. Modular wall elements are glass, plywood, whiteboard, and slatted walls. The locations of the walls can be easily modified with the help of ready-made fastening points. The "roof" of the







CREA
DECK

JUKKA NISKANEN
SALES

+35844 2523 619
jukka.niskanen@interior-agents.fi

www.creadeck.com